



# MX670 RGB

Premium Mid Tower Case with Brushed Aluminum Craftsmanship

MX670 RGB is a premium mid tower case features sleek design and tempered glass left panel. The front and top panels are made of aluminum alloys, which shows perfect combination of visual effects, doughty style, and sturdy quality. With three included ARGB fans and an LED strip, the amazing light creates visually impressive RGB shows. It also has excellent cooling performance and superior expandability for high-end hardware and storage devices. MX670 RGB is the most ideal and valuable case for PC enthusiasts and professionals.



## Creative, Reflective, and Attractive

MX670 RGB has distinctive top and front panels featuring eye-catching brushed aluminum construction. The front panel is designed with minimalist style, which is forged with fine aluminum alloys and folding angles. It presents a strong, modern and unique design. The hollow areas ensure excellent airflow and the top panel has ARGB LED strip to present attractive reflection.



## Easy access and connectivity for all your devices

With USB 3.1 Gen-2 Type-C and USB 3.0 ports, MX670 RGB connects to the latest devices. It also brings high-speed connections to fulfill massive data transfer needs for the ultimate PC enthusiast.



## Enjoy the Dazzling RGB Show

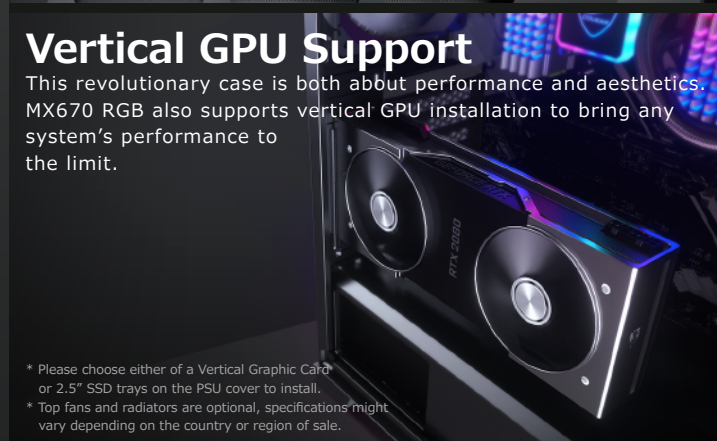
The integrated lighting button, with built-in LED controller, allows MX670 RGB to display amazing lighting effects. It's also adaptable with any compatible motherboards' 5V ARGB connection for system-wide lighting synchronization. The powerful lights come out of a stylish panel and the reflective surroundings helps reinforce the RGB effects.



\* ARGB fans are optional, specifications might vary depending on the country or region of sale.

## Vertical GPU Support

This revolutionary case is both about performance and aesthetics. MX670 RGB also supports vertical GPU installation to bring any system's performance to the limit.



\* Please choose either of a Vertical Graphic Card or 2.5" SSD trays on the PSU cover to install.  
\* Top fans and radiators are optional, specifications might vary depending on the country or region of sale.

## Massive Tempered Glass Left Panel

The PSU cover and massive tempered glass left panel presents a clean and tidy build that hides cables. Instead of drilling into the tempered glass, we use metal frames to more easily build a pro-level system and upgrade its durability.



\* Top fans and radiators are optional, specifications might vary depending on the country or region of sale.

## Top-notch Gaming Hardware

To offer top-notch performance, MX670 RGB is able to accommodate a mighty build. Its excellent support for up to 400mm-long graphics cards and E-ATX motherboards brings unprecedented freedom for hardware systems.



\* Top fans and radiators are optional, specifications might vary depending on the country or region of sale.



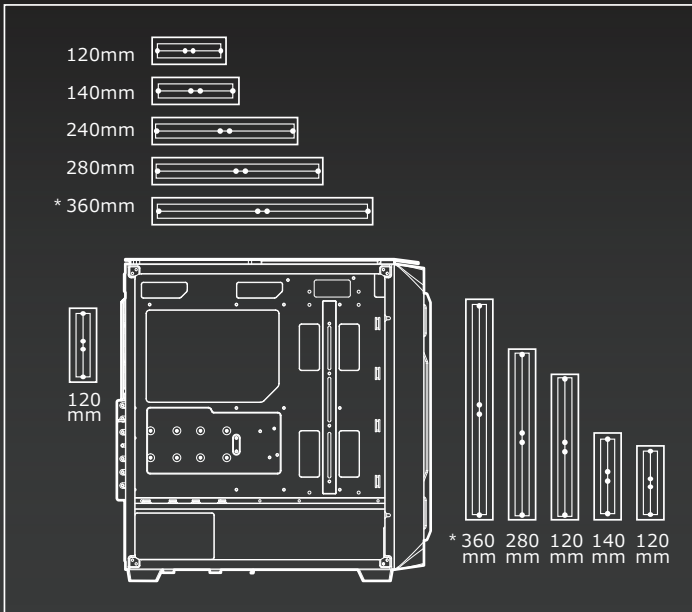
# MX670 RGB

Premium Mid Tower Case with Brushed Aluminum Craftsmanship

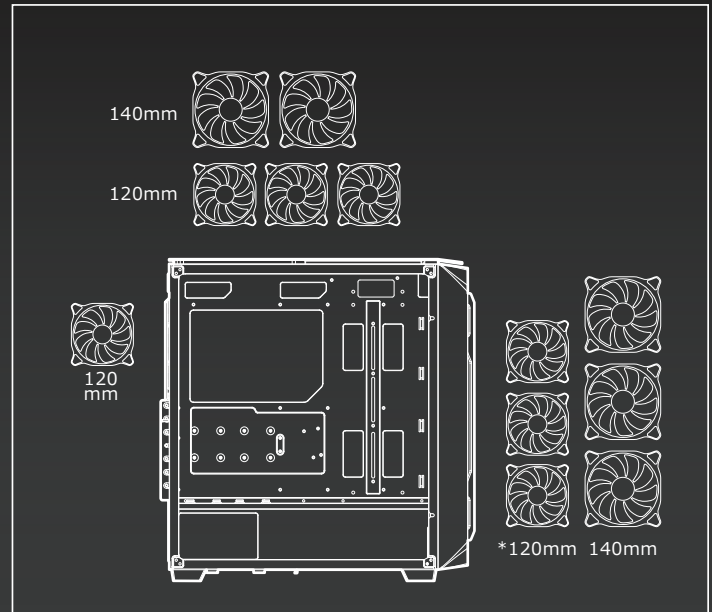
## Superior Cooling

With seven fans and solid support for up to a 360mm water cooling radiator, you will enjoy superior cooling horsepower to keep advanced components safe from overheating.

### Water cooling radiator support



### Air cooling support



\* Please choose either of front or top to install a 360mm radiator.

\* Please choose either of a TOP 360mm radiator or FRONT 120mm x 3 fans to install.

## SPECIFICATIONS

Model Name	MX670 RGB	Water Cooling RGB Support	Front : *360mm / 280mm / 240mm / 140mm / 120 mm Top : *360mm / 280mm / 240mm / 140mm / 120mm Rear : 120mm
Model No.	CGR-5UM6B-RGB	Cooling Fan Support	Front : * 120mm x 3 / 140mm x 3 ( ARGB fans x 3 pre-installed ) Top : 120mm x 3 / 140mm x 2 Rear : 120mm
Case Type	Mid Tower	Transparent Left Panel	4mm Tempered Glass
Motherboard Type	Mini ITX / Micro ATX / ATX / CEB / E-ATX	Onboard Lighting System	Yes
Dimension (WxHxD)	220 x 492 x 465 (mm) / 8.7 x 19.4 x 18.3 (in)	RGB Sync with M/B	Yes
Case Drive Bays	3.5" : 2 2.5" : 2+2 ( converted from 3.5" drive bays ) / ( 2 SSD trays included )	Max. CPU Cooler Height	170 (mm) / 6.7 (in)
I/O Panel	Type C 3.1 x 1, USB 3.0 x 2, Mic x 1 / Audio x 1, RGB Button	Max. Graphics Card Length	400 (mm) / 15.7 (in)
Expansion Slots	7+2	Max. PSU Length	180 (mm) / 7.1 (in)
Maximum Number of Fans	7 Max.		

\*Please choose either of front or top to install a 360mm radiator.

\*Please choose either of a TOP 360mm radiator or FRONT 120mm x 3 fans to install.

## PACKING DATA

Product Name	MX670 RGB	Individual Size W/O Packaging Weight (N.Weight)	7.5 (kg)
Product Number (P/N)	385UM60.0001	Individual Packaging Weight (G.Weight)	9.3 (kg)
EAN CODE	4710483771897	Individual Size W/O Packaging (WxHxD)	220 x 492 x 465 (mm) / 8.7 x 19.4 x 18.3 (in)
UPC CODE	192554002989	Individual Packaging Size (WxHxD)	300 x 552 x 555 (mm) / 11.8 x 21.7 x 21.9 (in)
JAN CODE	4541995035616		